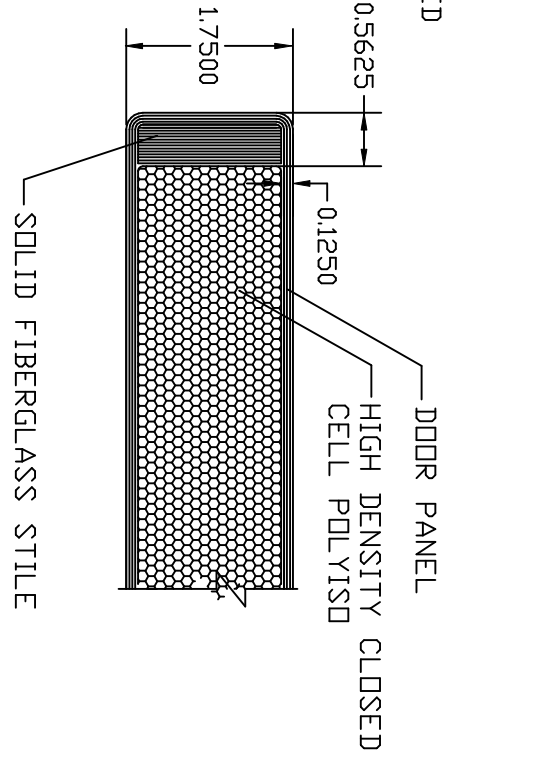
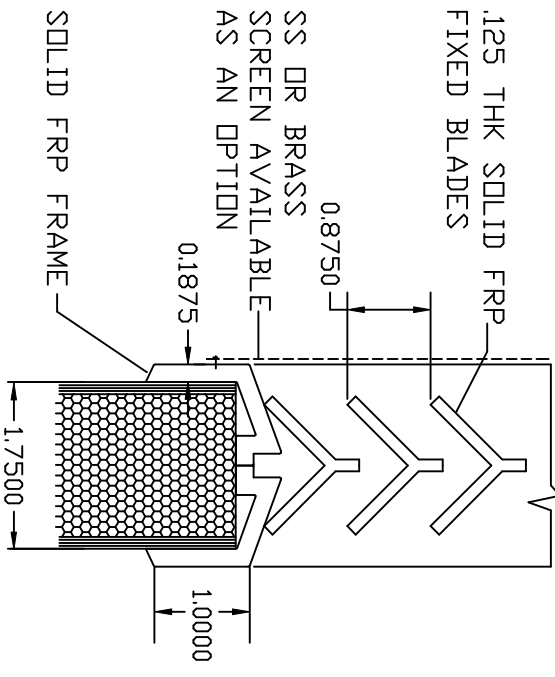


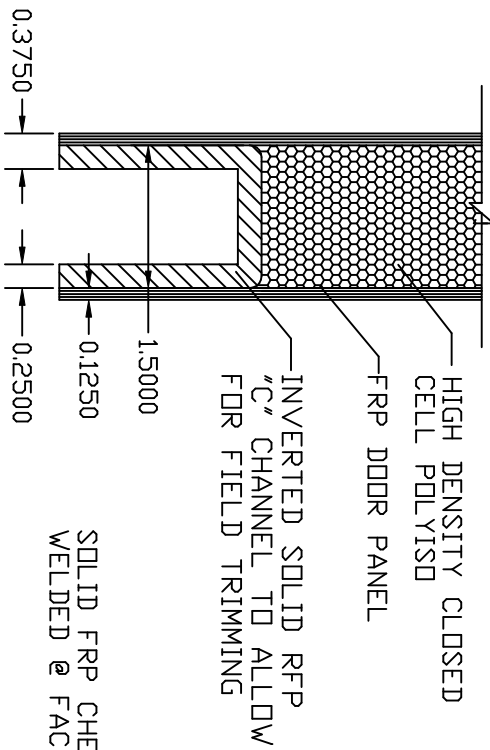
Ⓐ TOP CLOSURE



Ⓑ DOOR STILE

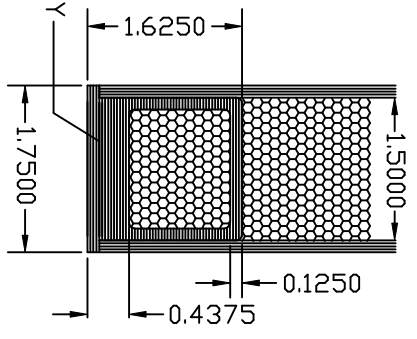


Ⓓ LOUVER KIT

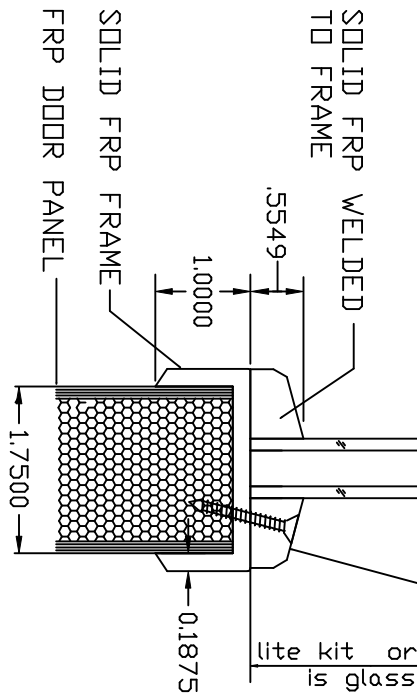


Ⓑ STD BOTTOM CLOSURE

Ⓔ LITE KIT



SOLID FRP APPLIED STOP
 1/4", 5/8", 1" GLAZING
 BY OTHERS (5/8" shown)
 SOLID FRP WELDED TO FRAME
 SOLID FRP FRAME
 FRP DOOR PANEL



lite kit order size is glass size

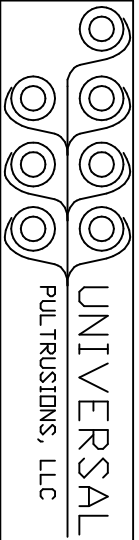
FRP DOOR TYP SECTIONS SHT 2/2

All pieces are solid FRP chemically welded in

place at the factory

UNIVERSAL PULTRUSIONS L.L.C.
 PO BOX 1289
 MARSHALL, AR 72650
 PH 870-448-4406
 FX 870-448-5120

9/09



UNIVERSAL PULTRUSIONS, LLC