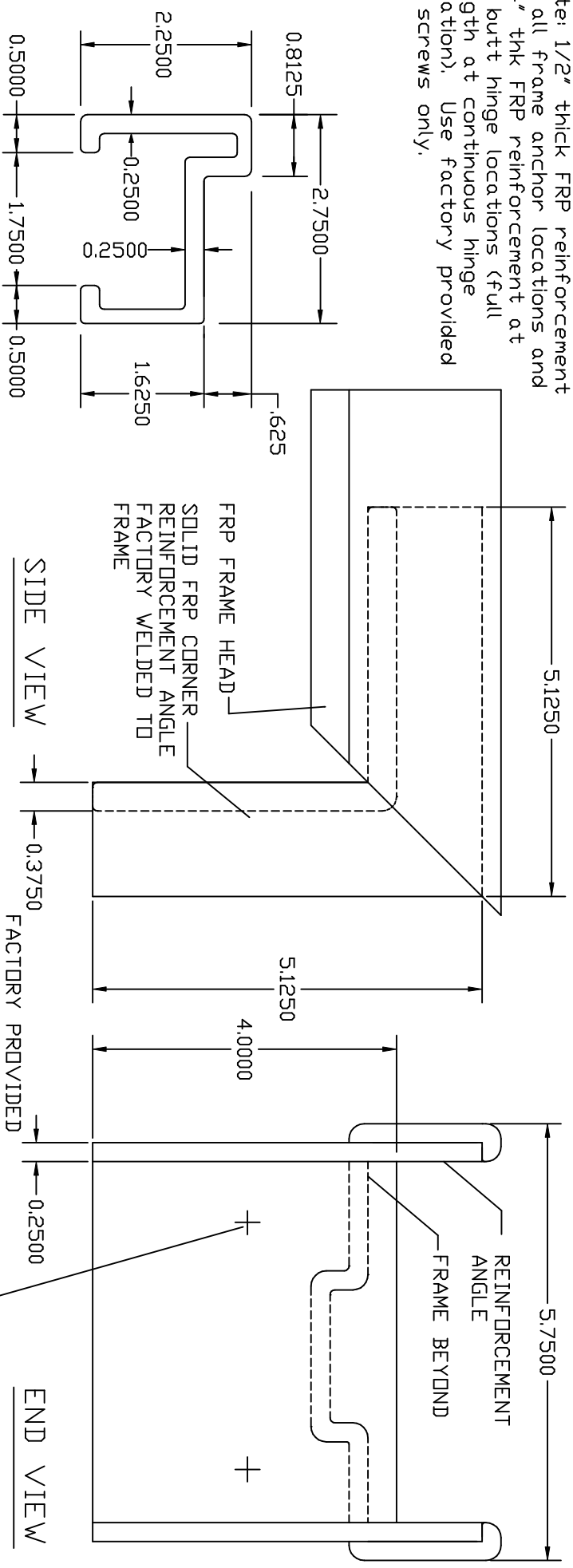


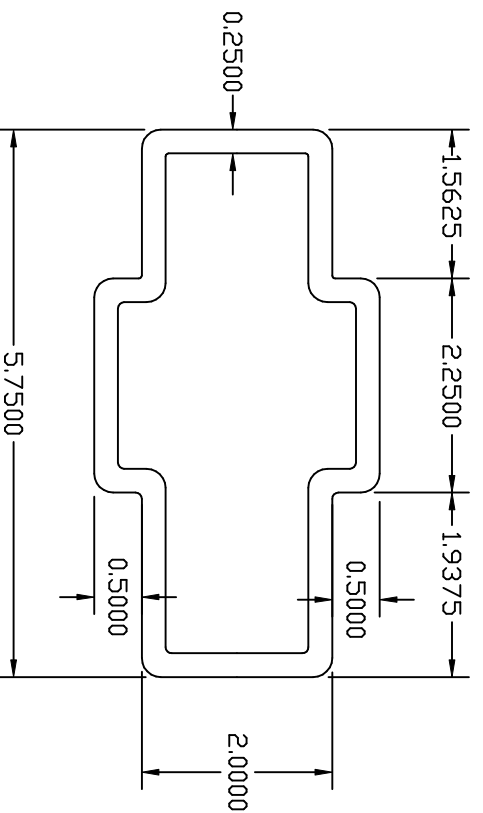
Note: 1/2" thick FRP reinforcement and at all frame anchor locations and 1/4" thk FRP reinforcement at all butt hinge locations (full length at continuous hinge location). Use factory provided SS screws only.



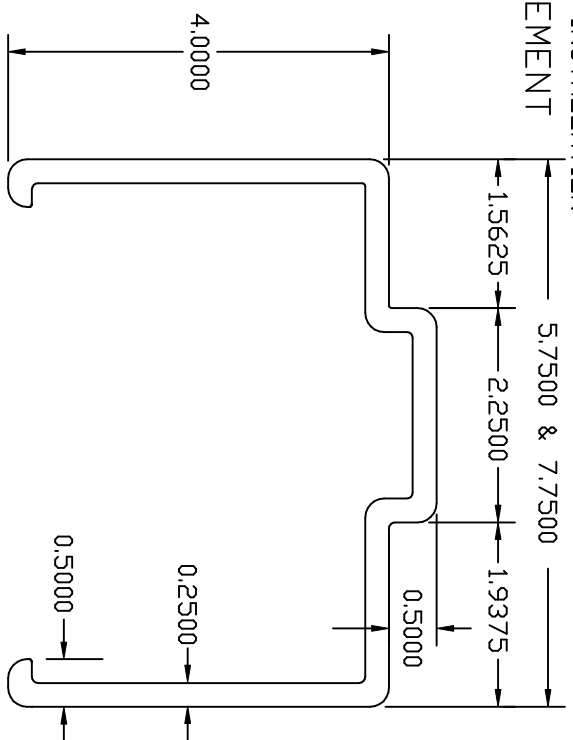
SIDE VIEW

END VIEW

3" SINGLE RABBIT PROFILE TYPICAL CORNER REINFORCEMENT



STANDARD MULLION PROFILE



4" STANDARD HEAD PROFILE

FRP DOOR FRAME PROFILES

Frames factory assembled as one piece(4' max) or supplied knock down (KD) for field assembly

UNIVERSAL PULTRUSIONS L.L.C
 PD BOX 1289
 MARSHALL, AR 72650
 PH 870-448-4406
 FX 870-448-5120

11/09

